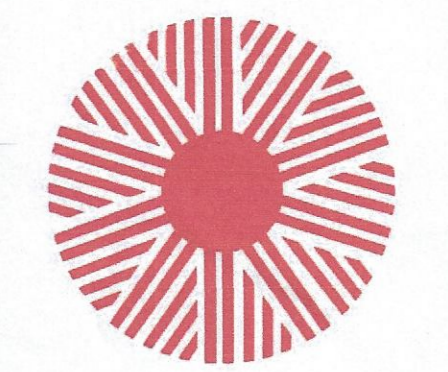


THESE DRAWINGS ARE COPYRIGHTED INSTRUMENTS OF SERVICE AND ARE THE PROPERTY OF ARCHITECTURAL COLLABORATIVE TEAM, LLC. ALL CONSTRUCTION OF THIS PROJECT SHALL BE IN ACCORDANCE WITH THE SPECIFICATIONS AND SHALL NOT BE USED FOR ANY OTHER PROJECT WITHOUT THE EXPRESS WRITTEN PERMISSION OF ARCHITECTURAL COLLABORATIVE TEAM, LLC. WRITTEN DIMENSIONS ON THESE DRAWINGS SHALL TAKE PRECEDENCE OVER SCALED DIMENSIONS. CONTRACTORS SHALL BE RESPONSIBLE FOR ALL DIMENSIONS AND CONDITIONS ON THE PROJECT AND SHALL VERIFY ALL DIMENSIONS AND CONDITIONS ON THE PROJECT PRIOR TO COMMENCING CONSTRUCTION. ARCHITECTURAL COLLABORATIVE TEAM, LLC SHALL NOT BE RESPONSIBLE FOR ERRORS OR OMISSIONS CAUSED BY THE CONTRACTOR'S FAILURE TO PROTECT, NOTIFY, OR MAINTAIN EXISTING UTILITIES. SHOP DRAWINGS SHALL BE SUBMITTED TO ARCHITECTURAL COLLABORATIVE TEAM, LLC PRIOR TO PROCEEDING WITH ANY WORK.



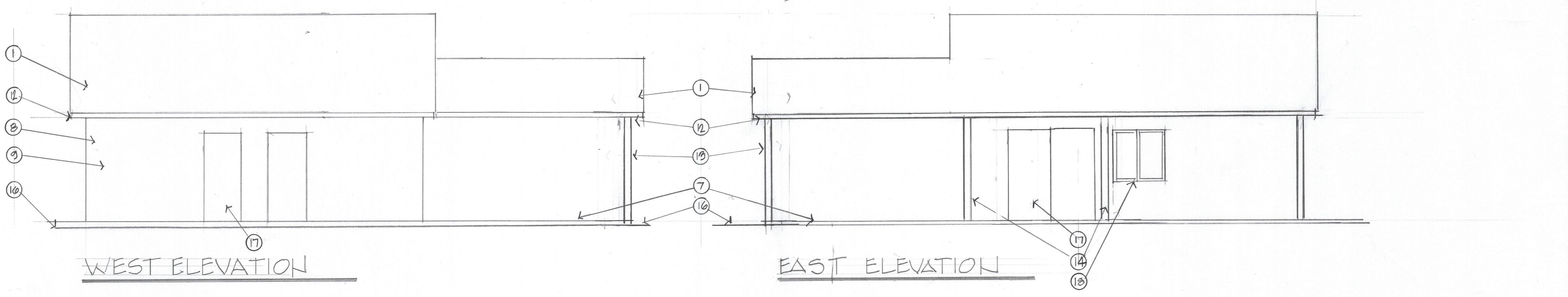
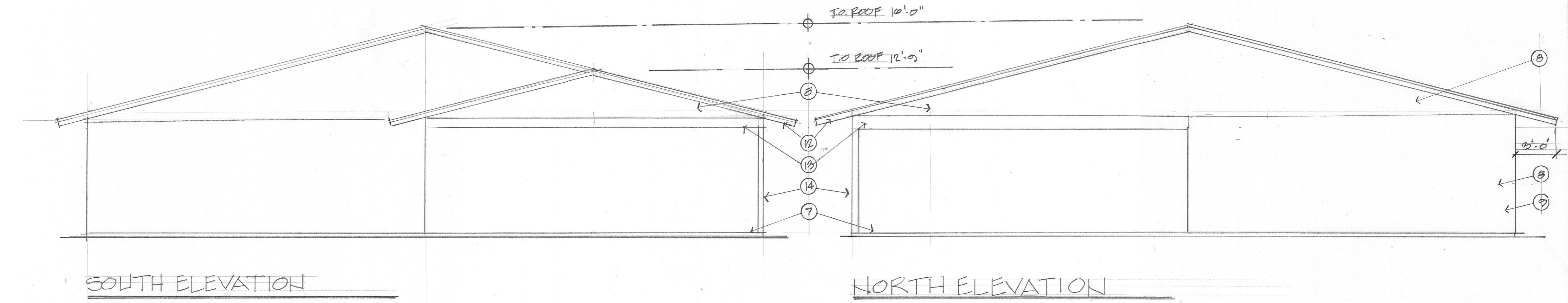
WEST PARK TOILET BUILDING  
 FOUNTAIN OF THE SUN  
 540 SOUTH 80th STREET WEST  
 MESA, ARIZONA 85208

No.	Revision/Issue	Date

ARCHITECTURAL COLLABORATIVE TEAM  
 723 EAST DIAMOND DRIVE  
 TEMPE, ARIZONA 85283  
 PH. 480-897-0522  
 A LIMITED LIABILITY COMPANY

REGISTERED ARCHITECT  
 20127  
 PRELIMINARY NOT FOR CONSTRUCTION  
 EXPIRES 06/30/2027

Project: 24-039  
 Date: \_\_\_\_\_  
 Scale: AS NOTED  
 Sheet: 4



ELEVATIONS AND SECTION KEYNOTES:

- 1 METAL ROOFING OVER WATERPROOFING MEMBRANE
- 2 1/2 INCH ROOF SHEATHING
- 3 PRE-FABRICATED WOOD TRUSSES 2 24 INCHES ON CENTER
- 4 R38 INSULATION
- 5 1/2 INCH NON-SAGGING GYP BD
- 6 2 X 6 WOOD STUD PLUMBING WALL
- 7 4 INCH CONCRETE SLAB OVER 4 INCH ABC
- 8 STUCCO OVER BUILDING PAPER OVER 3/8 INCH SHEATHING OVER 2 X 6 WOODS STUDS WITH R19 INSULATION - BASE BID #1A
- 9 OPTION PAINTED 8 INCH CONCRETE MASONRY UNIT BLOCK WALL- VOIDS FILLED WITH INSULATION - ADD/DEDUCT ALTERNATE #1B
- 10 CONCRETE TURNDOWN FOOTING WITH #4 REBAR TOP AND BOTTOM
- 11 1/2 INCH GYP BD OVER 2 X 4 CRIPPLE WALL
- 12 2 X 8 WOOD FASCI
- 13 6 X 12 WOOD BEAM
- 14 6 X 6 WOOD POST
- 15 WOOD POST FOOTING BEYOND - 30 INCH X 30 INCH X 12 INCH THICK WITH 3-#4 REBAR EACH WAY
- 16 FINISH GRADE
- 17 PAIR OF 36 X 84 SOLID CORE EXTERIOR METAL DOOR AND METAL FRAME
- 18 48 X 48 XO WINDOW WITH REMOVABLE INSECT SCREEN

